

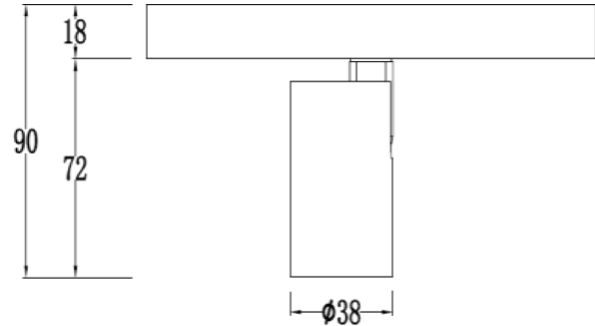
ISSE SERIES

Low Voltage track systems for various applications with linear, pendants and spot light modules.
All modules are easily relocated to accomodate any lighting application.

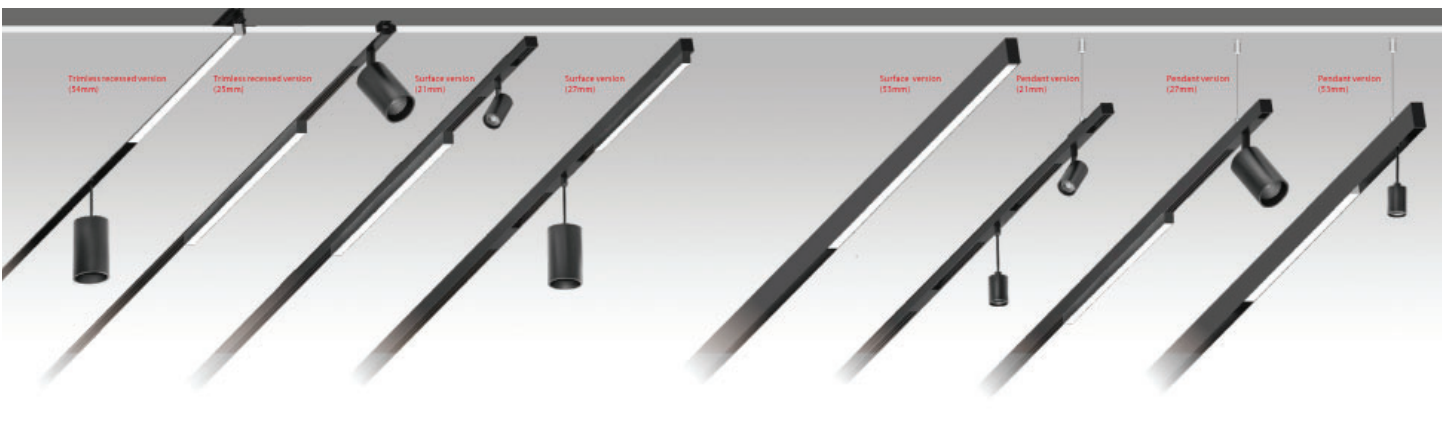
DETAILS (SMALL SPOT)

Dimming: 0-10v or DALI
 Input Voltage: 48v DC (Track)
 Finishes: White, Black
 Beam Angle: 10, 23, 36
 Operating Temp Range: -20c through +45c
 Warranty: 5 Years
 Adapters: AAG 48v DC
 Glare Control: Hexcell Louver and Snoots available.
 Additional: ISSE family also includes an adjustable zoom track light, fixed optic accent, pendant and linear strips.

DIMENSIONS



1.5" diameter X 2.8" length .70" adapter depth x 6.5" length



Ordering Information:

ISSE-SS	WATTS : 9W
	TEMP : 2700K 3000K 3500K 4000K 5000K
	BEAM : 10D 23D 36D
	ADAPTER FINISH : WH BK
	BODY FINISH : WH BK

9w = 620lumen (Based on 3000k)



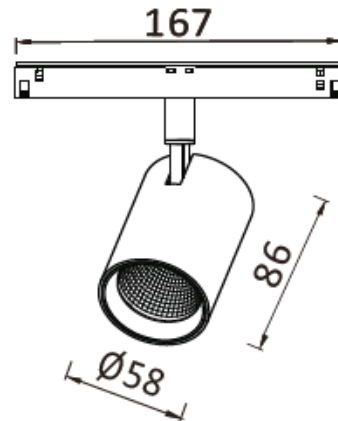
ISSE SERIES

*Low Voltage track systems for various applications with linear, pendants and spot light modules.
All modules are easily relocated to accomodate any lighting application.*

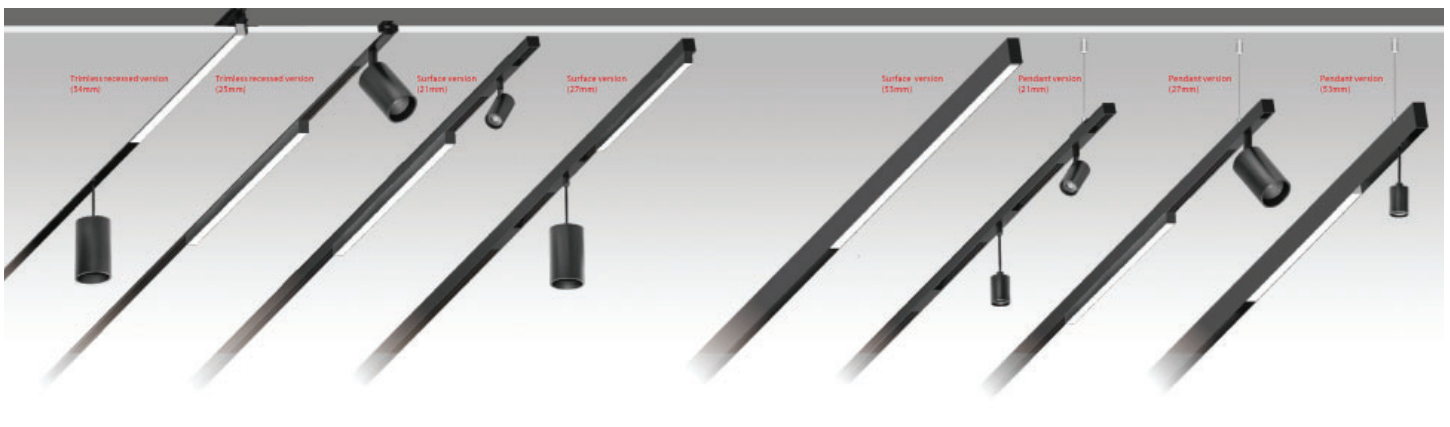
DETAILS (MEDIUM SPOT)

Dimming: 0-10v or DALI
 Input Voltage: 48v DC (Track)
 Finishes: White, Black
 Beam Angle: 15, 25, 41
 Operating Temp Range: -20c through +45c
 Warranty: 5 Years
 Adapters: AAG 48v DC
 Glare Control: Hexcell Louver and Snoots available.
 Additional: ISSE family also includes an adjustable zoom track light, fixed optic accent, pendant and linear strips.

DIMENSIONS



2" diameter X 3



Ordering Information:

ISSE-SS	WATTS : 13W
	TEMP : 2700K 3000K 3500K 4000K 5000K
	BEAM : 15D 25D 41D
	ADAPTER FINISH : WH BK
	BODY FINISH : WH BK

13w = 1544lumen (Based on 3000k)



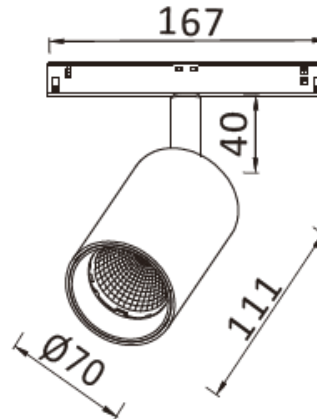
ISSE SERIES

Low Voltage track systems for various applications with linear, pendants and spot light modules.
All modules are easily relocated to accomodate any lighting application.

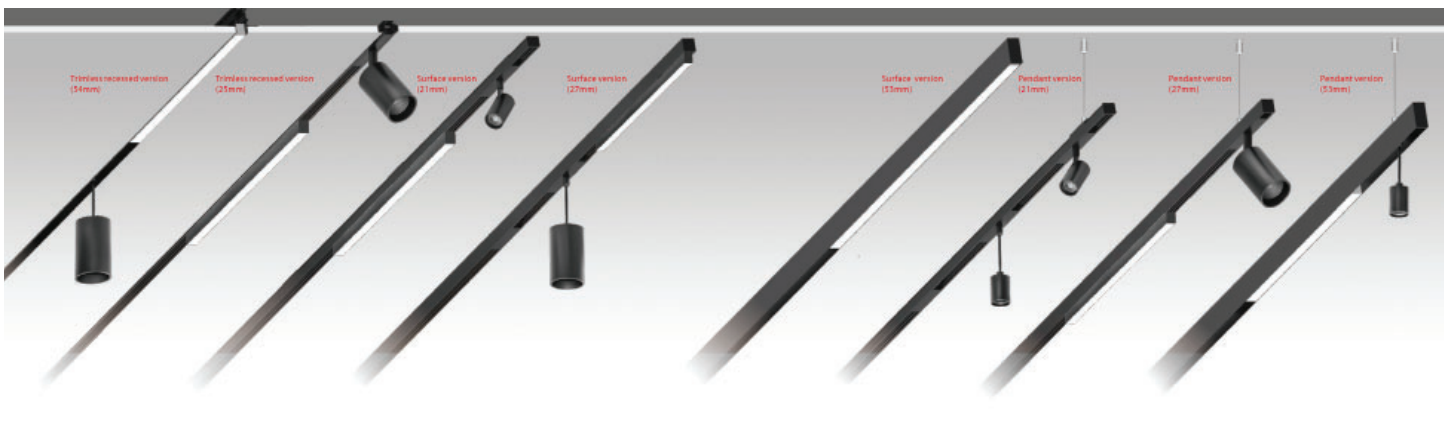
DETAILS (LARGE SPOT)

Dimming: 0-10v or DALI
Input Voltage: 48v DC (Track)
Finishes: White, Black
Beam Angle: 18, 21, 33, 54
Operating Temp Range: -20c through +45c
Warranty: 5 Years
Adapters: AAG 48v DC
Glare Control: Hexcell Louver and Snoots available.
Additional: ISSE family also includes an adjustable zoom track light, fixed optic accent, pendant and linear strips.

DIMENSIONS



Measurements in Millimeters. To Convert to Inches Divide by 25.4



Ordering Information:

ISSE-SL	WATTS : 12W 17W 25W
	TEMP : 2700K 3000K 3500K 4000K 5000K
	BEAM : 18D 21D 33D 54D
	ADAPTER FINISH : WH BK
	BODY FINISH : WH BK

12w = 1544lm, 17w = 2284lm, 25w = 3257lm (Based on 3000k)



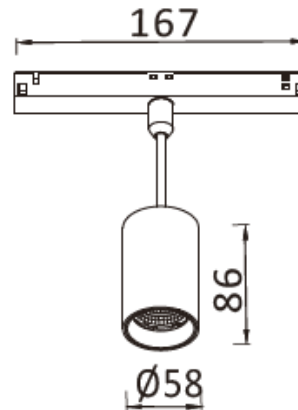
ISSE SERIES

Low Voltage track systems for various applications with linear, pendants and spot light modules.
All modules are easily relocated to accomodate any lighting application.

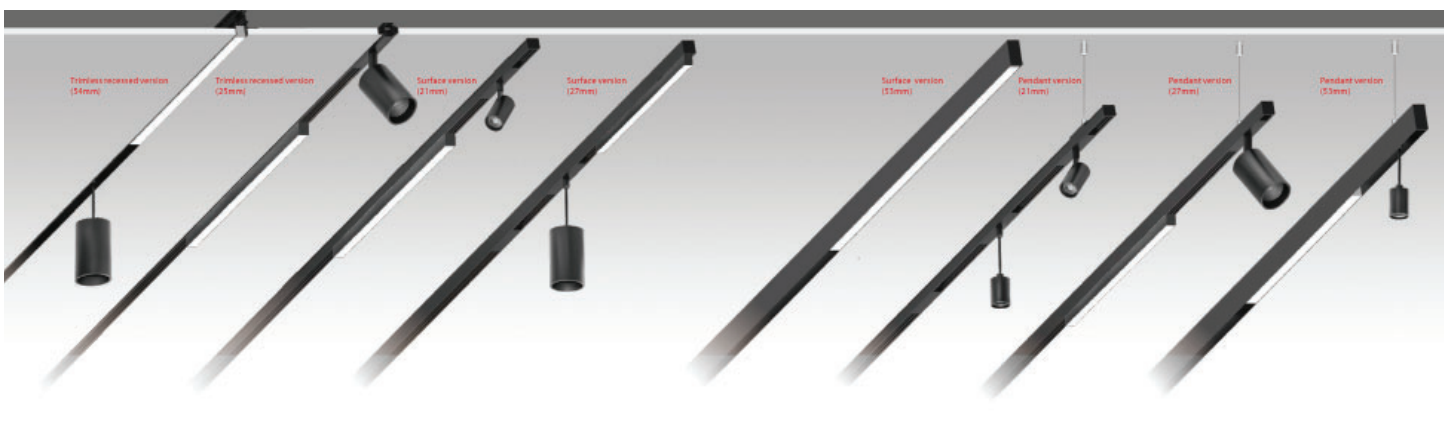
DETAILS (MEDIUM PENDANT)

Dimming: 0-10v or DALI
Input Voltage: 48v DC (Track)
Finishes: White, Black
Beam Angle: 15, 25, 41
Operating Temp Range: -20c through +45c
Warranty: 5 Years
Adapters: AAG 48v DC
Glare Control: Hexcell Louver and Snoots available.
Additional: ISSE family also includes an adjustable zoom track light, fixed optic accent, pendant and linear strips.

DIMENSIONS



Measurements in Millimeters. To Convert to Inches Divide by 25.4



Ordering Information:

ISSE-PM	WATTS : 13W
	TEMP : 2700K 3000K 3500K 4000K 5000K
	BEAM : 15D 25D 41D
	ADAPTER FINISH : WH BK
	BODY FINISH : WH BK
	CORD FINISH : WH BK

13w = 1544lumen (Based on 3000k)



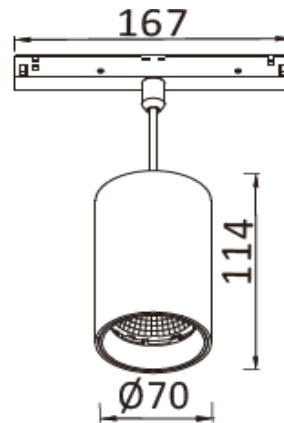
ISSE SERIES

Low Voltage track systems for various applications with linear, pendants and spot light modules.
All modules are easily relocated to accommodate any lighting application.

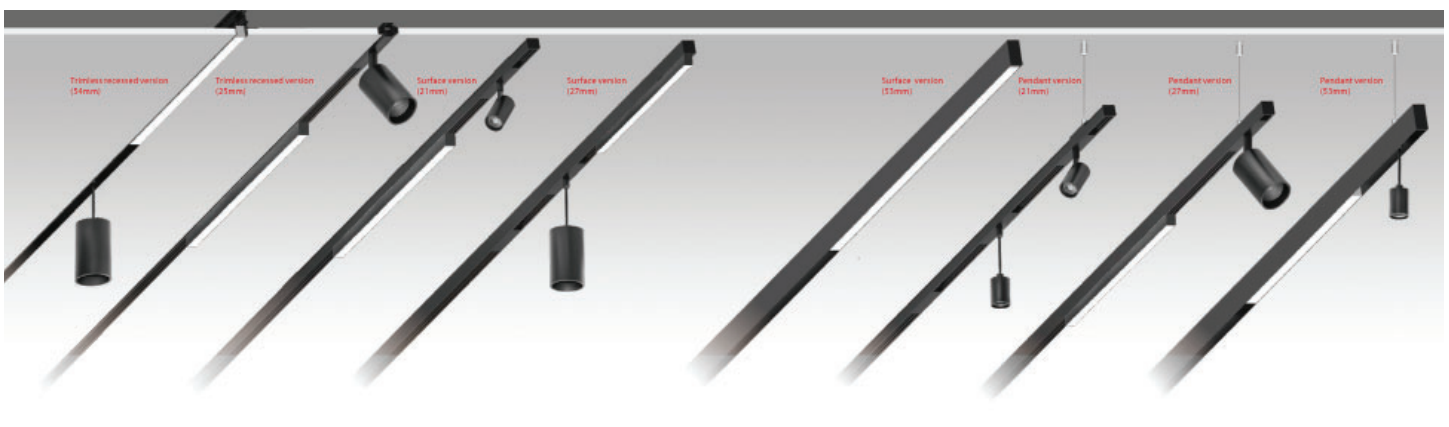
DETAILS (LARGE PENDANT)

Dimming: 0-10v or DALI
Input Voltage: 48v DC (Track)
Finishes: White, Black
Beam Angle: 18, 21, 33, 54
Operating Temp Range: -20c through +45c
Warranty: 5 Years
Adapters: AAG 48v DC
Glare Control: Hexcell Louver and Snoots available.
Additional: ISSE family also includes an adjustable zoom track light, fixed optic accent, pendant and linear strips.

DIMENSIONS



Measurements in Millimeters. To Convert to Inches Divide by 25.4



Ordering Information:

ISSE-PL	WATTS : 12W 17W 25W
	TEMP : 2700K 3000K 3500K 4000K 5000K
	BEAM : 18D 21D 33D 54D
	ADAPTER FINISH : WH BK
	BODY FINISH : WH BK
	CORD FINISH : WH BK

12w = 1544lm, 17w = 2284lm, 25w = 3257lm (Based on 3000k)



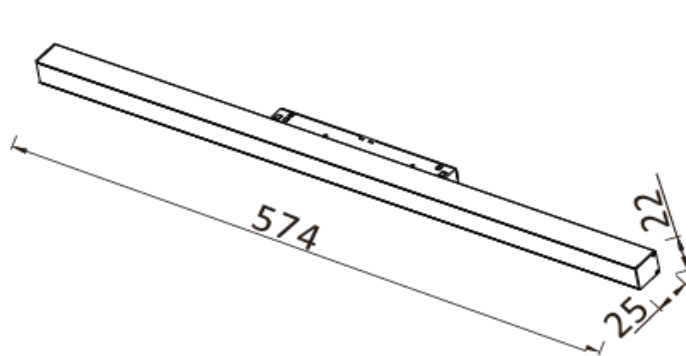
ISSE SERIES

Low Voltage track systems for various applications with linear, pendants and spot light modules.
All modules are easily relocated to accomodate any lighting application.

DETAILS (SMALL LINEAR)

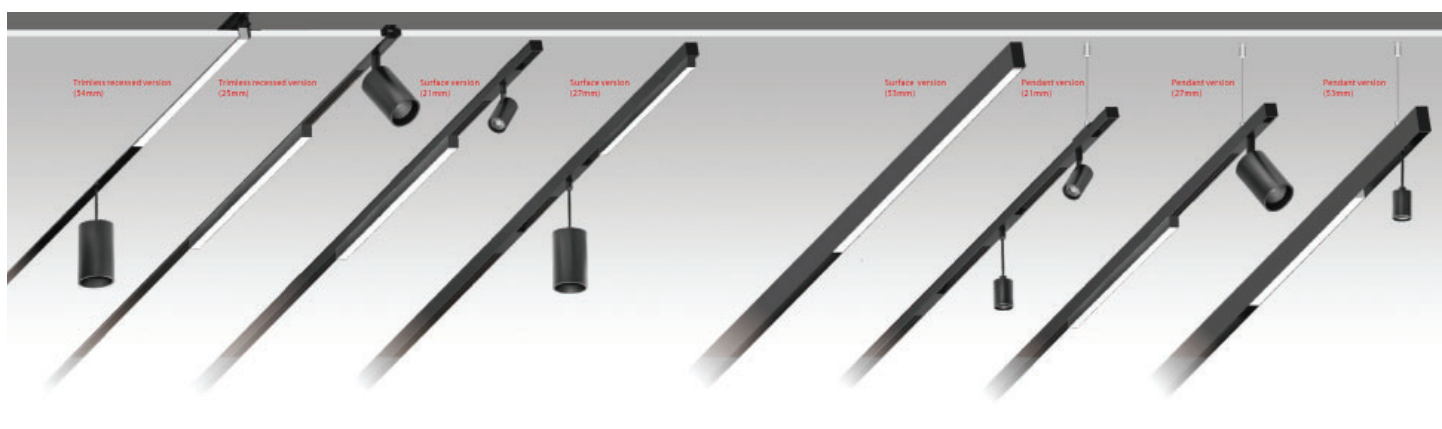
Dimming: 0-10v or DALI
Input Voltage: 48v DC (Track)
Finishes: White, Black
Beam Angle: 112
Operating Temp Range: -20c through +45c
Warranty: 5 Years
Adapters: AAG 48v DC
Additional: ISSE family also includes an adjustable zoom track light, fixed optic accent, pendant and linear strips.

DIMENSIONS



NOTE: Light Strip will be fully recessed in the 53mm profile tracks and semi recessed in the 21mm profiles.

Measurements in Millimeters. To Convert to Inches Divide by 25.4



Ordering Information:

ISSE-LS	WATTS : 11W
	TEMP : 2700K 3000K 3500K 4000K 5000K
	BEAM : 112D
	ADAPTER FINISH : WH BK
	BODY FINISH : WH BK



11w = 1343lm (Based on 3000k)

ISSE SERIES

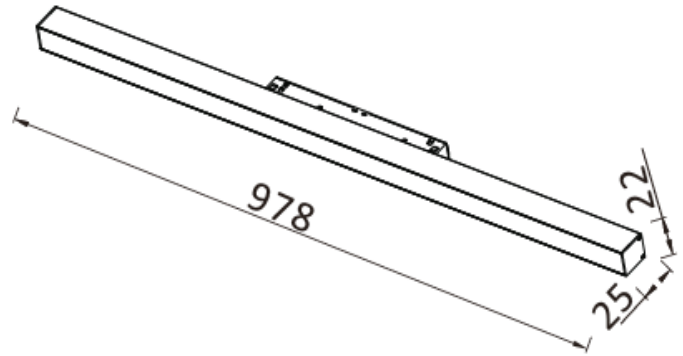
Low Voltage track systems for various applications with linear, pendants and spot light modules.
All modules are easily relocated to accomodate any lighting application.

DETAILS (SMALL LINEAR)

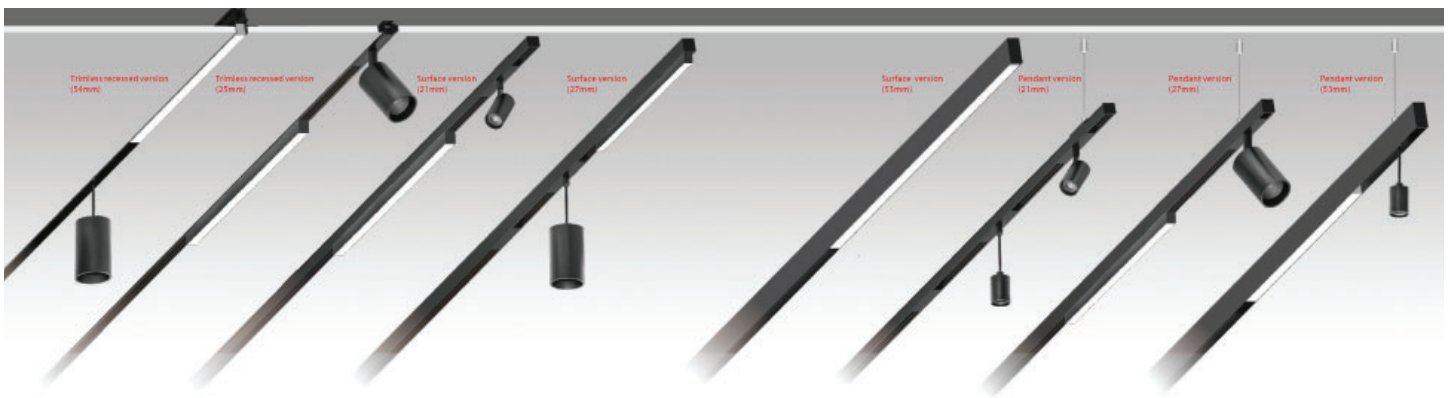
Dimming: 0-10v or DALI
Input Voltage: 48v DC (Track)
Finishes: White, Black
Beam Angle: 112
Operating Temp Range: -20c through +45c
Warranty: 5 Years
Adapters: AAG 48v DC
Additional: ISSE family also includes an adjustable zoom track light, fixed optic accent, pendant and linear strips.

NOTE: Light Strip will be fully recessed in the 53mm profile tracks and semi recessed in the 21mm profiles.

DIMENSIONS



Measurements in Millimeters. To Convert to Inches Divide by 25.4



Ordering Information:

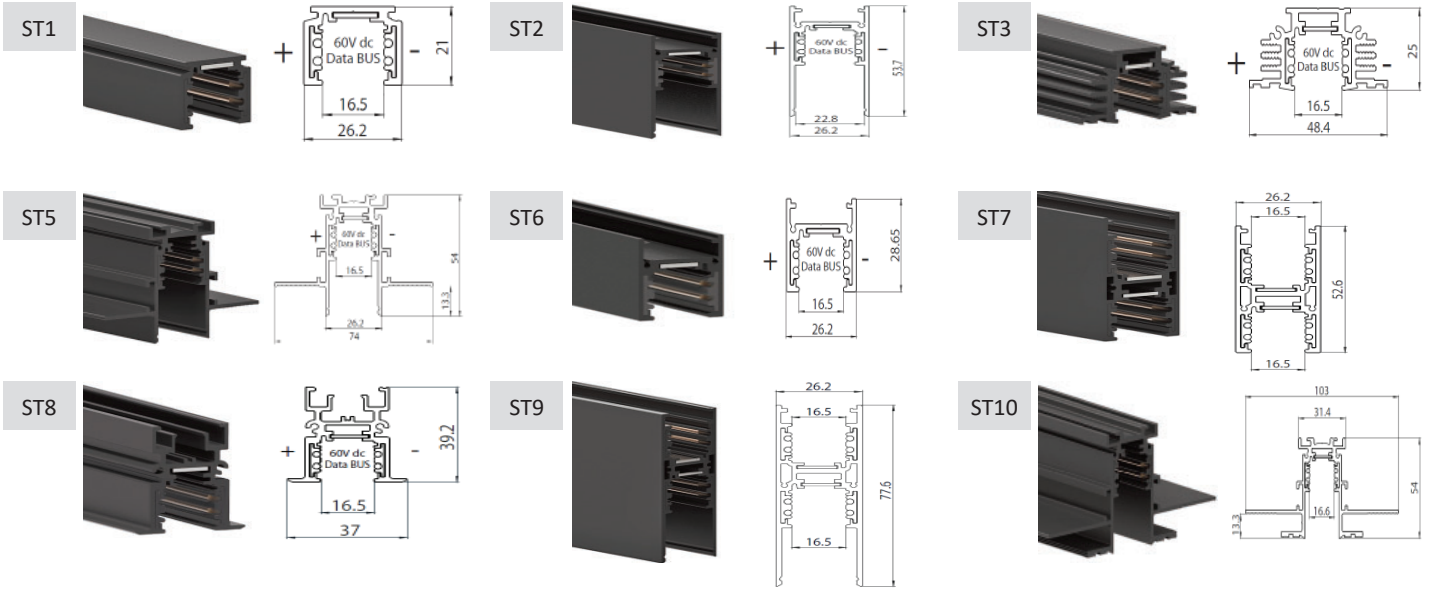
ISSE-LL	WATTS : 17W
	TEMP : 2700K 3000K 3500K 4000K 5000K
	BEAM : 112D
	ADAPTER FINISH : WH BK
	BODY FINISH : WH BK



17w = 2100lm (Based on 3000k)

ISSE SERIES

TRACK PROFILES- AVAILABLE IN WHITE OR BLACK



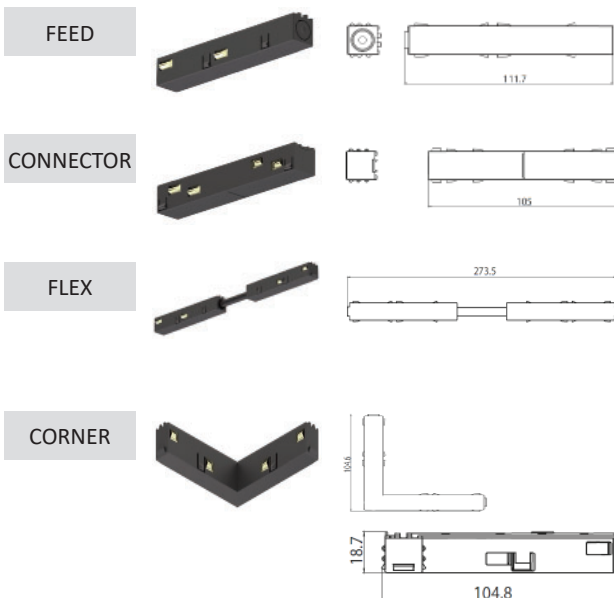
Ordering Information:

TRK-48V	FINISH : WH BK
	PROFILE : ST1 ST2 ST3 ST5 ST6 ST7 ST8 ST9 ST10
	LENGTH : 1M 2M 3M



Measurements in Millimeters.
To Convert to Inches Divide by 25.4

ELECTRICAL CONNECTORS :



Ordering Information:

TRK-48V-FEED-WH
TRK-48V-FEED-BK
TRK-48V-CONN-WH
TRK-48V-CONN-BK
TRK-48V-FLEX-WH
TRK-48V-FLEX-BK
TRK-48V-CORNER-WH
TRK-48V-CORNER-BK

NOTES:

All Tracks and Connectors are rated for up to 60volts DC.

Low Voltage dimming should be connected at the track power feed and not at the driver. Refer to installation instructions for more details.

Most major 48v drivers are available and should be specified separately.

Track is field cuttable or available cut to specific lengths as needed